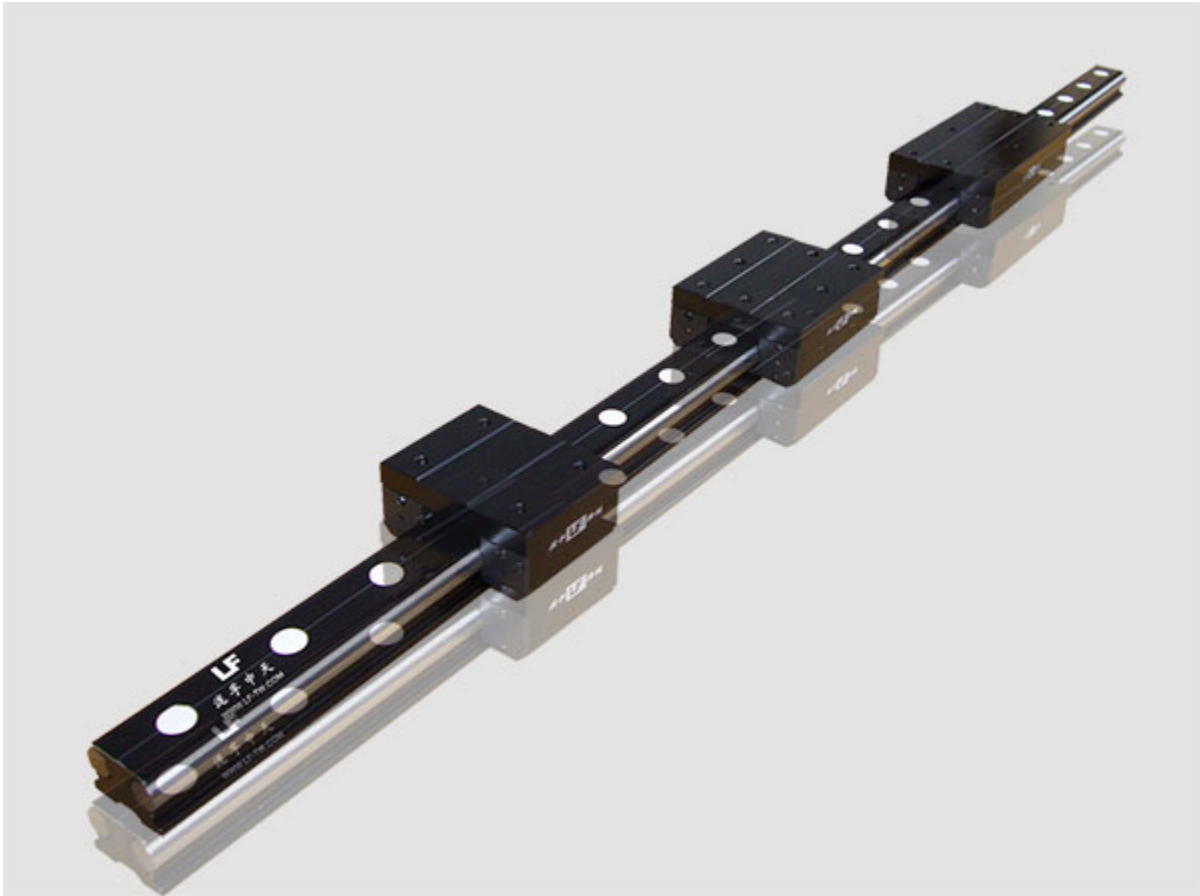


## Heavy Rail (HR) Outside-shafted dual rail linear guide

Outside-shafted dual rail linear guide



Precision shaft rail for (HR) linear guide  
【 Made in Taiwan 】



## High-precision bearing wheel roller



“Heavy Rail (HR)” brand name dual rail linear guide

It was consisted of: A> guide itself. B> carriage (slide block);

A> linear guide itself:

1. Aluminum profile guide:

Raw materials 6065 aluminum alloy with extrusion molding produced under rigidly super-precision standard inspection by the top experienced manufacturer at China, then going to CNC machining work for all installation position holes.

2. Precision shaft rail;

This linear shaft rail was made in Taiwan especial for Heavy Rail (HR) dual rail linear guide.

2-1. Raw material:

Taiwan famous special steel products #55 carbon steel in main ingredients

2-2. Surface skin hardness:

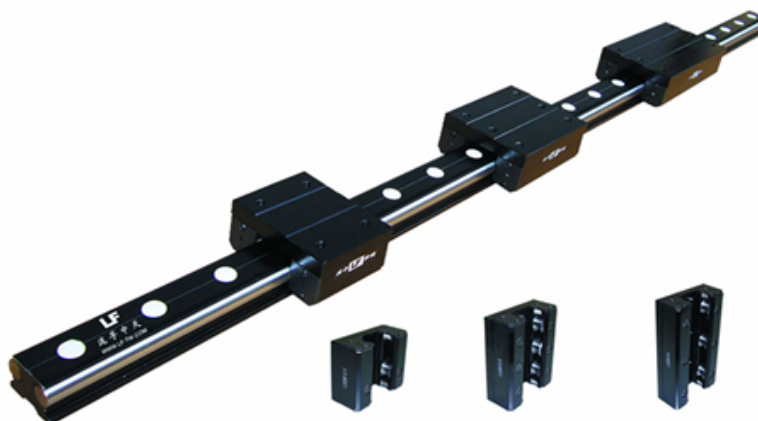
Average hardened layer depth 1.5-3mm surface around in HRC 62.4 up after special technical high frequency heating treatment

2-3. Surface treatment: high precision roundness, hardened with chrome plated.

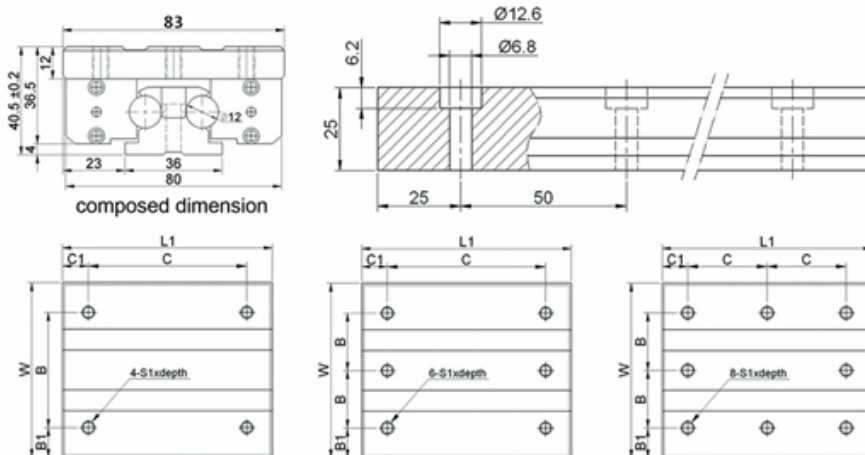
2-4. Core hardness: around HRC 25-28 after finished

# Linear Roller guide-LGD

Outside shaft Type



short type carriage LGDB12-V    standard type carriage LGDB12-S    on-length type carriage LGDB12-L    heavy duty type carriage LGDB12-XL



| Model     | Dimensions of carriage (mm) |     |    |    |     |    |          | Basic dynamic load rating | Basic static load rating | Allowable static moment |      |      | weight  |
|-----------|-----------------------------|-----|----|----|-----|----|----------|---------------------------|--------------------------|-------------------------|------|------|---------|
|           | W                           | L1  | B  | B1 | C   | C1 | S1xdepth | C(kgf)                    | Co(kgf)                  | To                      | Tx   | Ty   | Kg      |
| LGDB12-V  | 83                          | 64  | 54 | 14 | 40  | 12 | M6x12    | 100                       | 150                      | 2.1                     | 1.6  | 1.9  | 0.32    |
| LGDB12-S  | 83                          | 100 | 27 | 14 | 76  | 12 | M6x12    | 270                       | 435                      | 8.1                     | 6.0  | 7.2  | 0.57    |
| LGDB12-L  | 83                          | 140 | 27 | 14 | 116 | 12 | M6x12    | 270                       | 435                      | 8.1                     | 10.8 | 12.7 | 0.73    |
| LGDB12-XL | 83                          | 160 | 27 | 14 | 68  | 12 | M6x12    | 290                       | 460                      | 8.7                     | 11.2 | 13.6 | 0.90    |
| LGD12B    | 36(W) x 25(H)               |     |    |    |     |    |          |                           |                          |                         |      |      | 3.2Kg/M |

Order forms:

Guide: LGD12B-NL : NL- length of guide

Carriage: LGDB12-S x N : S – model of carriage. N –quantity of carriage.

Example: Guide: LGD12-1200L Carriage: LGDB12-S x 2, LGDB12-Vx1.

